

SHAD

TERRA

ENGINEERED FOR RIDING

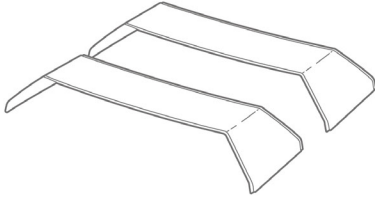


TR 27

COVER INSTALLATION USER GUIDE

WWW.SHAD.ES

SPARE PARTS COMPONENTS



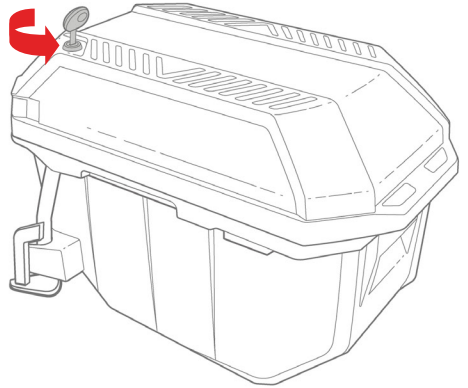
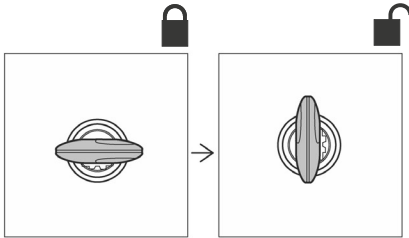
D1TR27ER x 2
D1TR27E06 x 2

TOOLS NEEDED

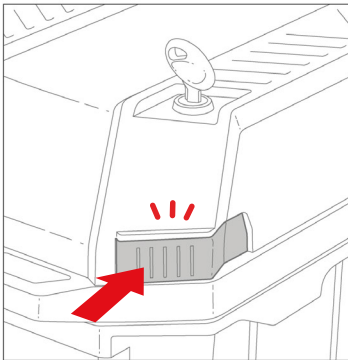


OPEN

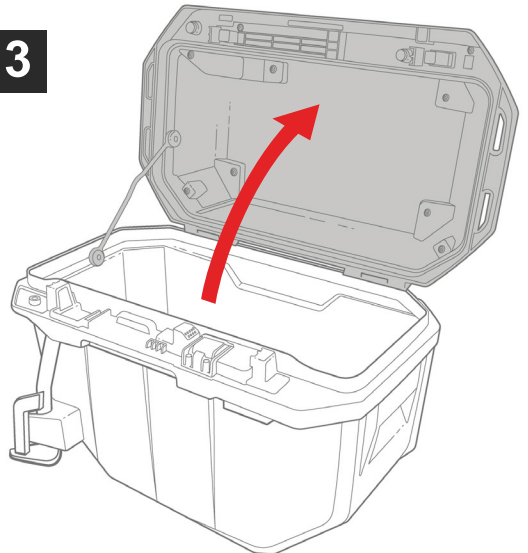
1



2

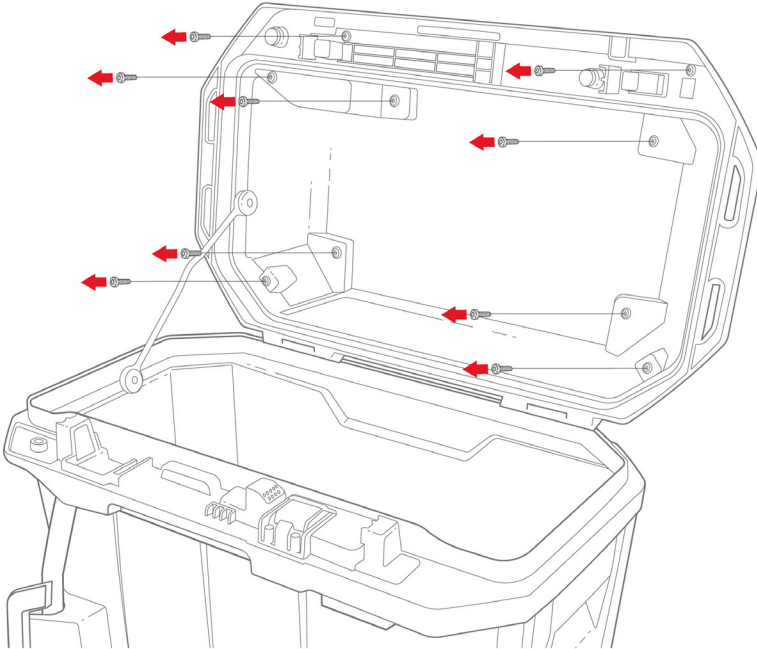


3

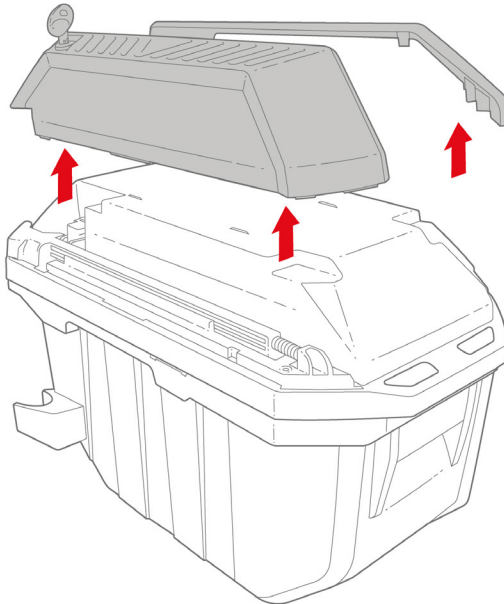


REMOVE

1



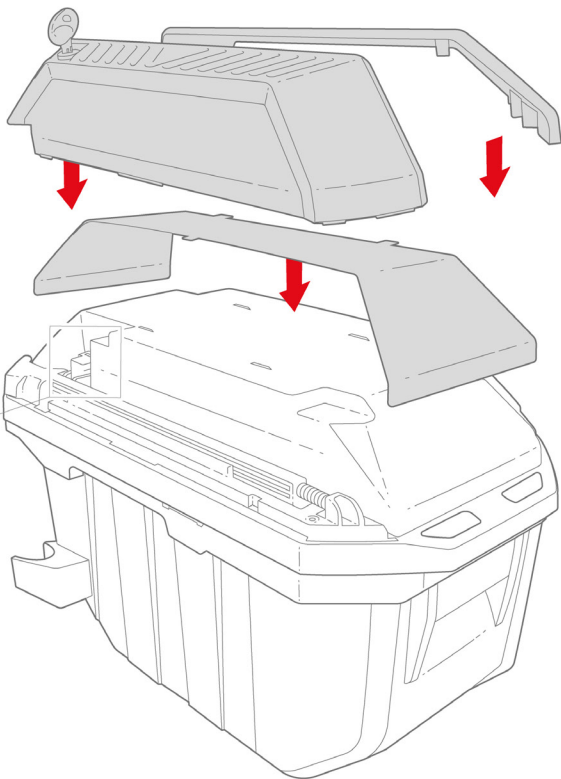
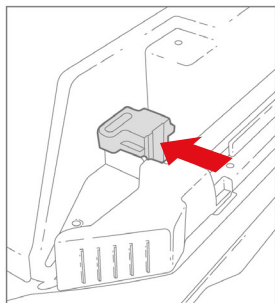
2



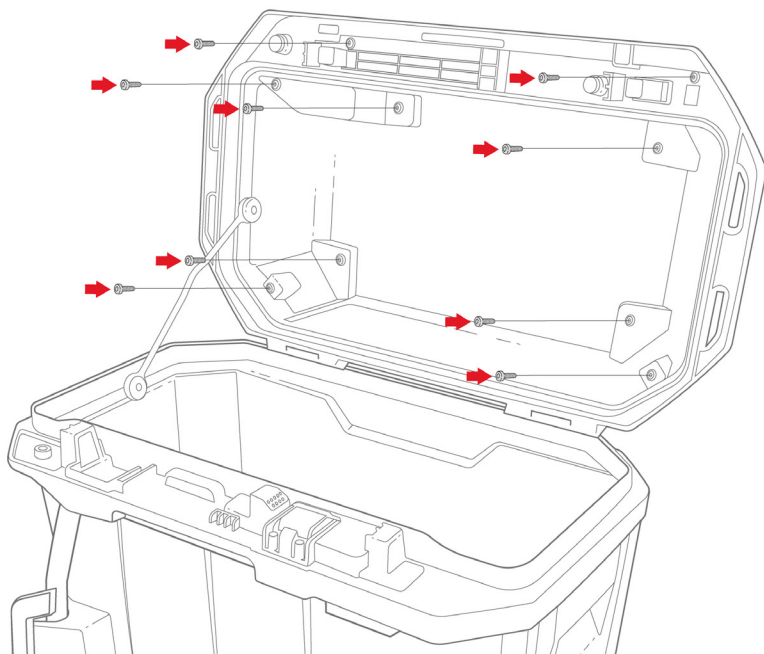
INSTALLATION

1

 **WARNING!**



2



+

SHAD

ENGINEERED FOR RIDING



WE ARE
DOING
GREEN

A hand holding a pencil is shown drawing a technical sketch of a motorcycle tank. The sketch is rendered in green lines on a white background. The word 'SHAD' is written on the tank in a stylized font. Below the main sketch, there are smaller technical drawings and the text 'Front view Scale: 1:2'.

DESIGNED TO LAST

TIMELESS. DURABLE. REPAIRABLE.
WITH PARTS & SUPPORT TO EXTEND PRODUCT LIFE.

WWW.SHAD.ES